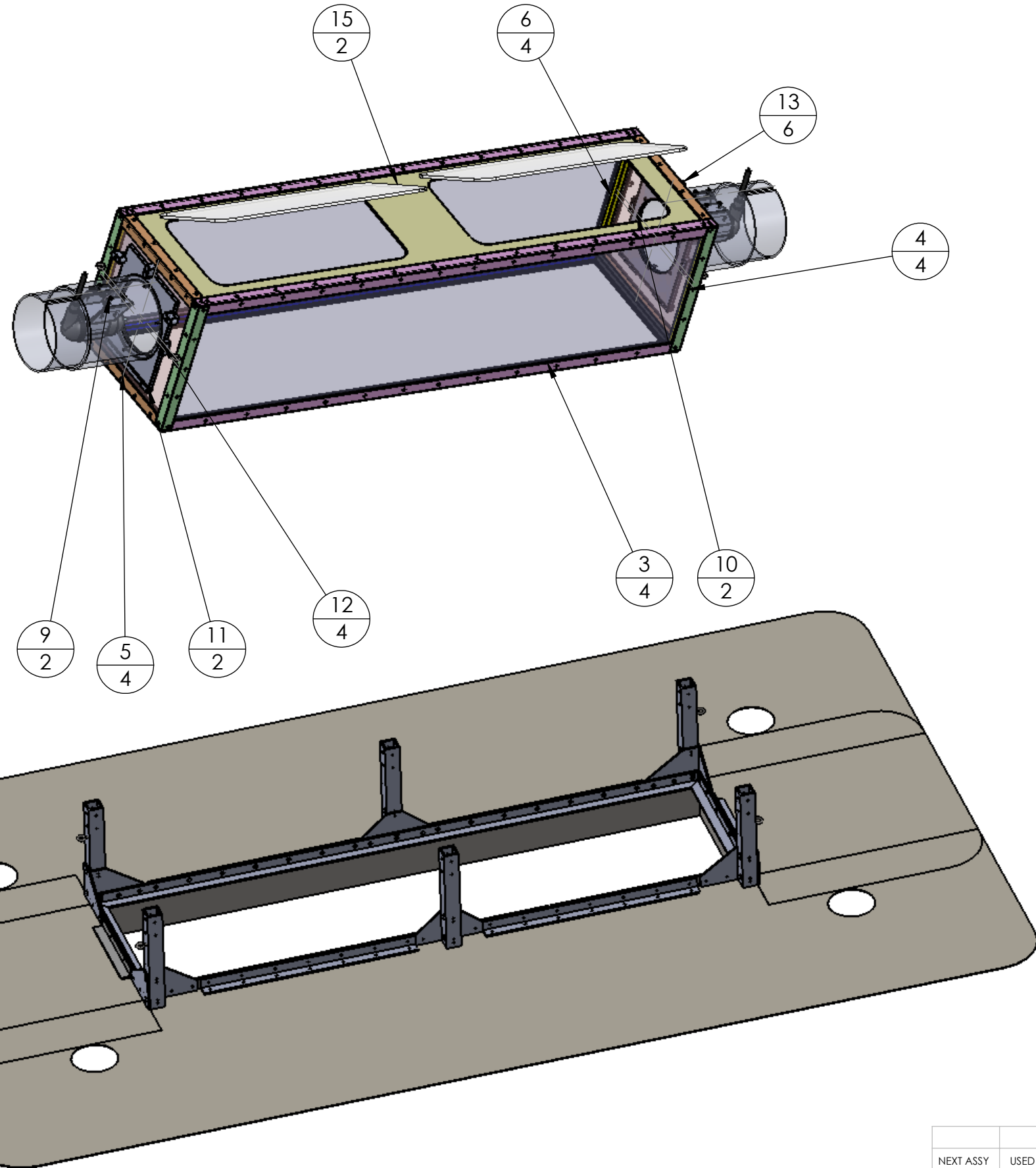


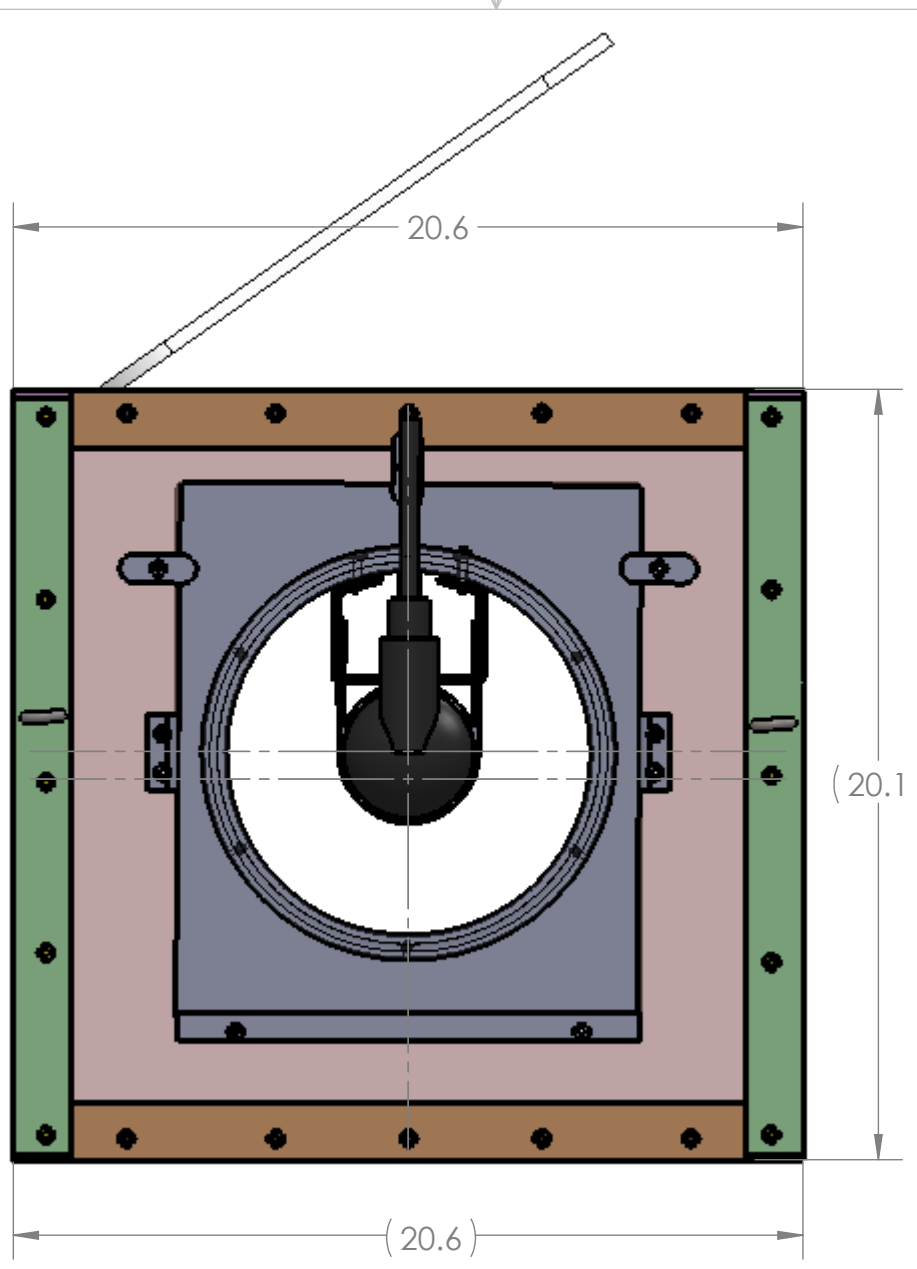
THE INFORMATION CONTAINED IN THIS DRAWING IS THE SOLE PROPERTY OF MBARI. ANY REPRODUCTION IN PART OR WHOLE WITHOUT THE WRITTEN PERMISSION OF MBARI IS PROHIBITED.

REVISIONS			
REV.	DESCRIPTION	DATE	APPROVED
	INITIAL RELEASE		

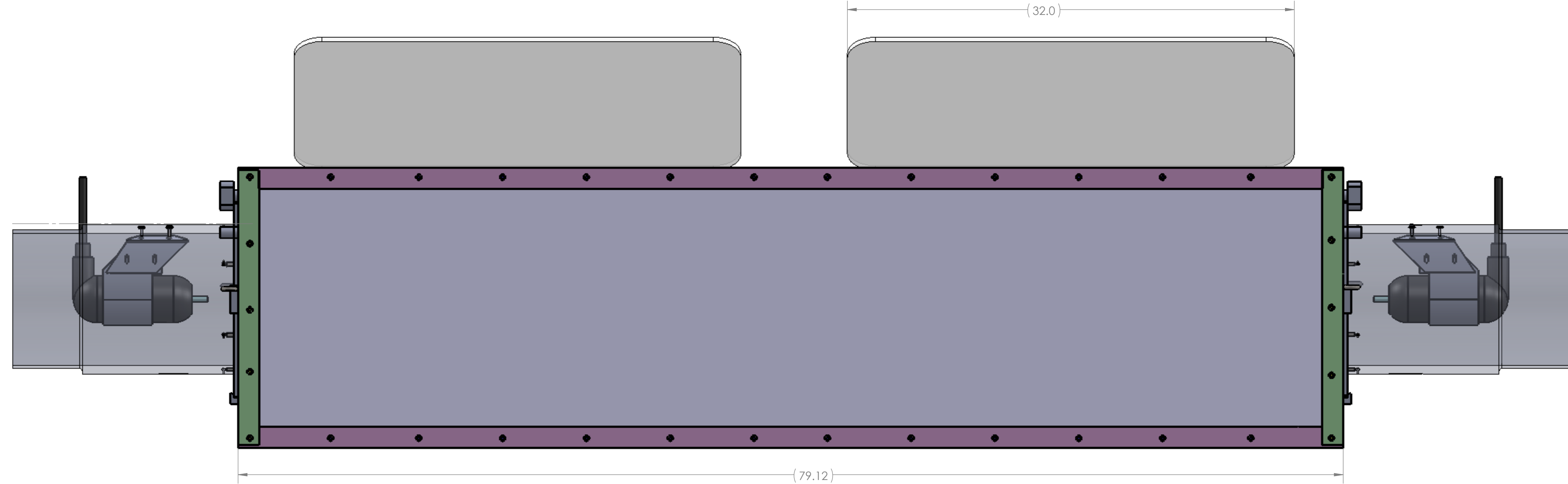


ITEM NO.	PART NUMBER	DESCRIPTION	QTY.
1	side wall 2nd test section	SWFOCE Side Wall for Test Section	2
2	2nd Test Section Top Sheet		1
3	pvc outer ext. angle		4
4	pvc corner ext. angle		4
5	pvc end ext. angle		4
6	Vertical backing bar		4
7	Long Horizontal backing bar		4
8	Short Horizontal backing bar		4
9	thruster 3500		2
10	901219-091012-2 Endplate for Seafloor Experiment Box	Endplate for Seafloor Experiment Box	2
11	901219-081012-1 Base for Duct Mounting Plate	Base for Duct Mounting Plate	2
12	Duct Plate Alignment Block		4
13	901219-091012-1 Duct Plate Latch	Duct Plate Latch	6
14	Al 18.15 type1 0.25x2.06-N-0.75		4
15	SWFOCE Experiment Chamber Access Cover		2

UNLESS OTHERWISE SPECIFIED TOLERANCES ARE:				APPROVALS		DATE		BILL OF MATERIALS	
1 PLACE DIM	2 PLACE DIM	3 PLACE DIM	ANGLES	DRAWN	F. Shane	30Oct2012	<b>Monterey Bay Aquarium Research Institute</b> 7700 Sandholdt RD. Moss Landing, CA 95039 PH: (408) 775-1700		
±.1/16	±.02	±.005	±1°	ENGINEER	F. Shane	30Oct2012			
1. DIMENSIONS ARE IN INCHES 2. DIMENSION LIMITS HELD AFTER PLATING. 3. REMOVE BURRS AND SHARP EDGES .015 MAX. 4. MACHINED FILLET RADII .0150-.030. 5. MACHINED DIAMETERS ON A COMMON CENTERLINE CONCENTRIC WITHIN .005 6. PERPENDICULARITY & PARALLELISM OF MACHINED SURFACES .002 PER INCH. MAX .012 INCHES FOR SINGLE SURFACE.				CHECKED			SWFOCE Experiment Chamber Assembly		
NEXT ASSY		USED ON		PROJECT NO.	901219				
APPLICATION		DO NOT SCALE DRAWING		PROJECT	SWFOCE		B	901219-301012-1	
				WEIGHT			SCALE	NONE	SHEET 1 OF 1



End View



Interior Volume is:  
 2 meters length  
 1/2 meter wide  
 1/2 meter tall

PROPRIETARY AND CONFIDENTIAL  
 THE INFORMATION CONTAINED IN THIS DRAWING IS THE SOLE PROPERTY OF <INSERT COMPANY NAME HERE>. ANY REPRODUCTION IN PART OR AS A WHOLE WITHOUT THE WRITTEN PERMISSION OF <INSERT COMPANY NAME HERE> IS PROHIBITED.

			UNLESS OTHERWISE SPECIFIED: DIMENSIONS ARE IN INCHES TOLERANCES: FRACTIONAL ± ANGULAR: MATCH ± BEND ± TWO PLACE DECIMAL ± THREE PLACE DECIMAL ± MATERIAL	DRAWN CHECKED ENG APPR. MFG APPR. Q.A. COMMENTS:	NAME DATE
NEXT ASSY	USED ON	FINISH			
APPLICATION					

TITLE: SWFOCE Experiment Chamber Assembly	
SIZE: D	DWG. NO.: 901129-301012-1
SCALE: 1:1	WEIGHT: SHEET 2 OF 3
REV	

